

SKHE

SKHE model
SKHEB model (with audible)



Colors Red, amber, green, blue (You cannot change colors by replacing the globe)

Globe The material is AS resin, which is translucent and highly weather resistant.

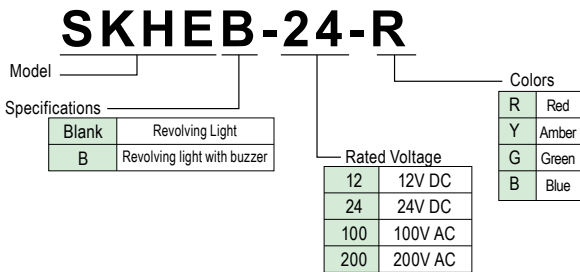
The SKHE Series features an 118mm diameter, ultra-bright, high energy-efficient LED system, and comes with a built-in 90dB audible alarm.

- 1 LED chip light source for high energy-efficiency without sacrificing visibility
- Built-in 90dB audible alarm
- Built-in terminal block for easy wiring
- Available colors: Red, Amber, Green, Blue

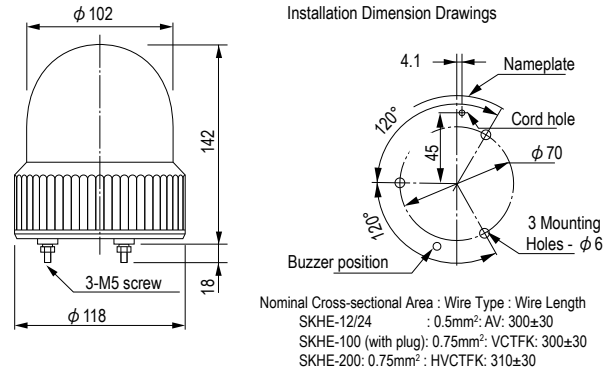
Specifications

Model		Rated Voltage	Current Consumption	Number of flashes	Mass	Colors
SKHE	SKHEB					
SKHE-12	SKHEB-12	12V DC	0.22A	120/minute	0.4kg	R: Red or Y: Amber
SKHE-24	SKHEB-24	24V DC	0.16A			G: Green or B: Blue
SKHE-100	SKHEB-100	100V AC	0.042A			R: Red or Y: Amber
SKHE-200	SKHEB-200	200V AC	0.022A			G: Green or B: Blue

Model Code



Dimensions (mm)

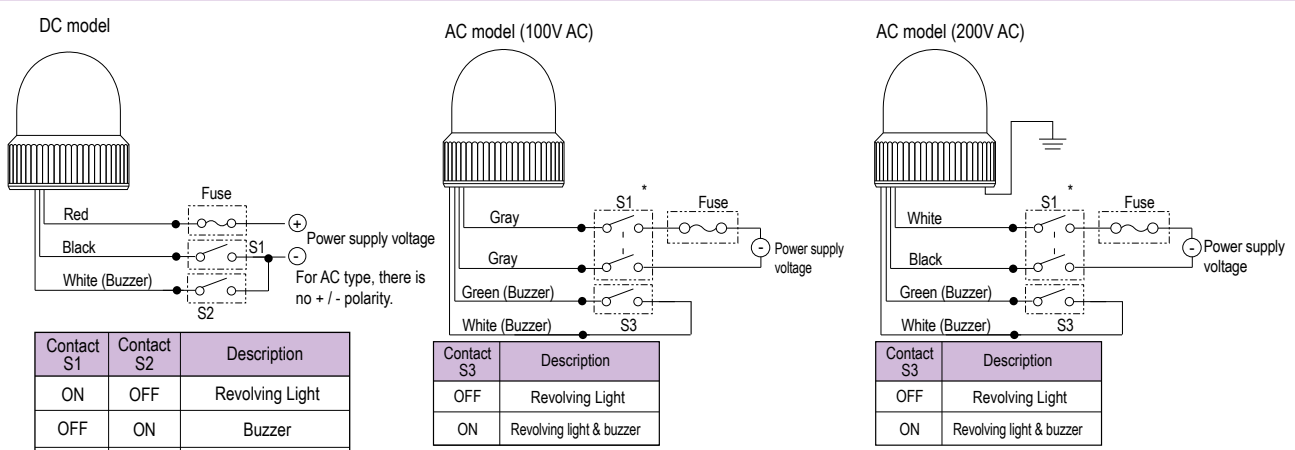


Optional Parts

For details, see pages 182 to 187.

Optional Parts	Model
Wallmount Bracket	SZ-007

Wiring Diagram



*Wiring diagram is for model B. There is no white wire for units without a buzzer.

*Wiring diagram is for model B. There are no white and green wires for units without a buzzer. Buzzer contact open circuit voltage 12V DC Short circuit current 40mA

*Wiring diagram is for model B. There are no white and green wires for units without a buzzer. Buzzer contact open circuit voltage 12V DC Short circuit current 40mA

*In addition to a two-way switch, you can also use a one-way switch.

Network
Signal Tower
Signal Light
Revolving Warning Light
Cube Tower
Audibles
Hybrid Signaling Devices
LED Illumination
Options